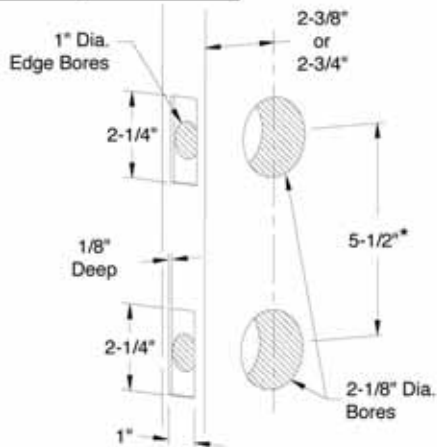


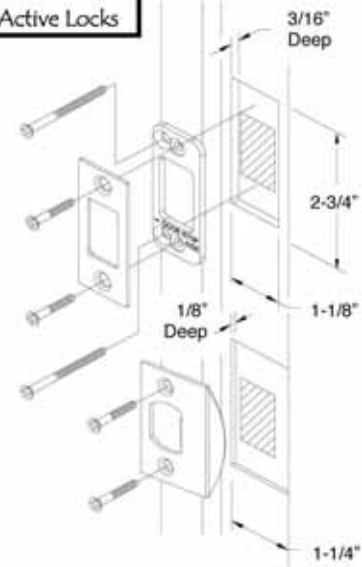
### Installation Instructions-Tubular Monolithic Entry Set - Single Cylinder Deadbolt

#### Door Prep - Active Lock



\*Marietta 6 style locks have 6" center to center bore spacing.

#### Door Jamb for Active Locks



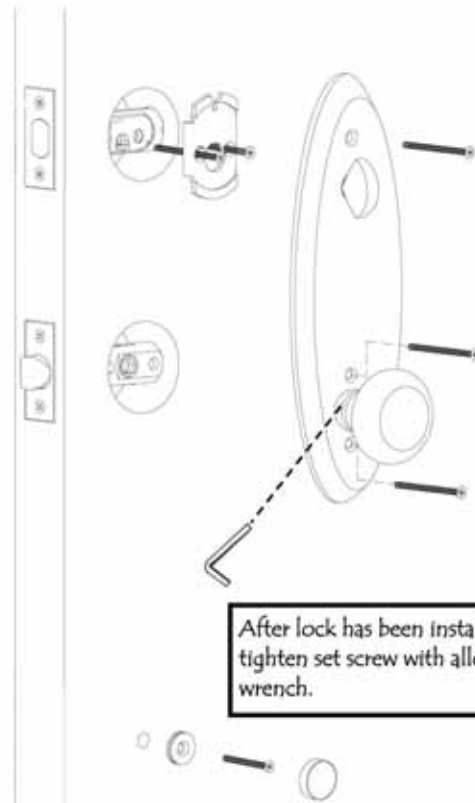
#### Outside Trim

##### Tailpiece Horizontal



Plates and grip vary depending on style.

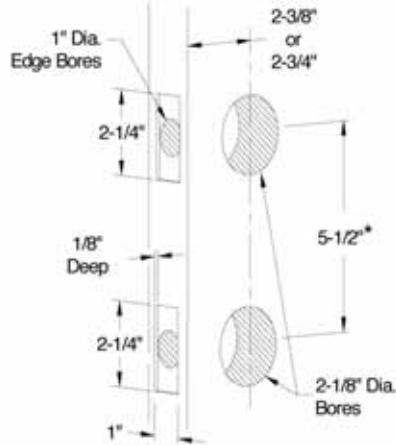
#### Inside Trim



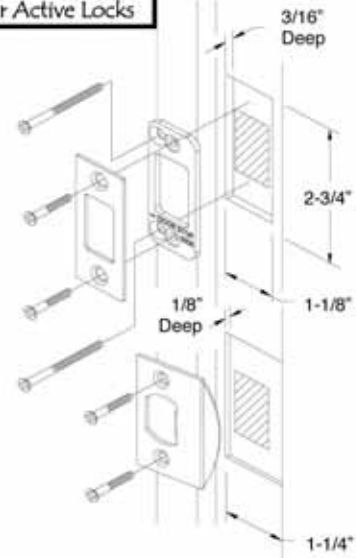
After lock has been installed tighten set screw with allen wrench.

### Installation Instructions-Tubular Monolithic Entry Set - Double Cylinder Deadbolt

#### Door Prep - Active Lock



#### Door Jamb for Active Locks

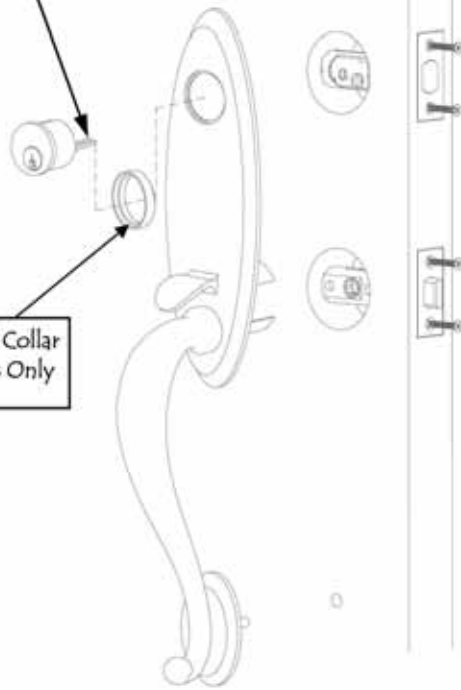


\*Marietta-6 locks have 6" center bore spacing.

#### Outside Trim

Tailpiece Horizontal

Optional Collar For Brass Only

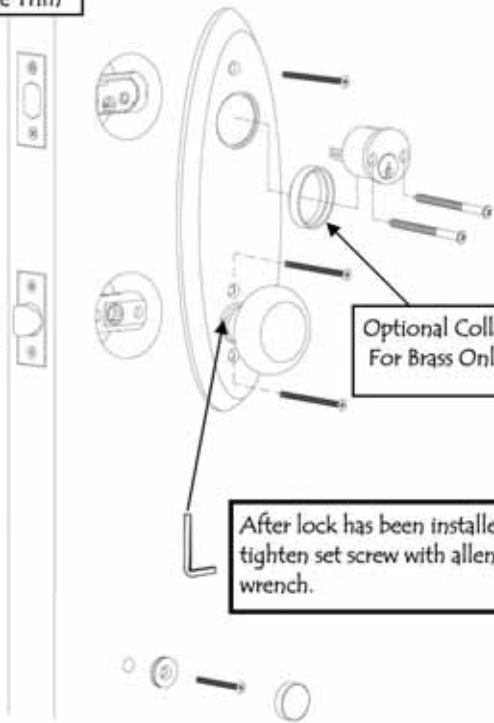


Plates and grip vary depending on style.

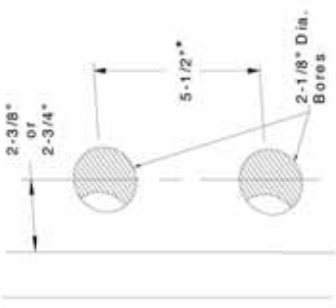
#### Inside Trim

Optional Collar For Brass Only

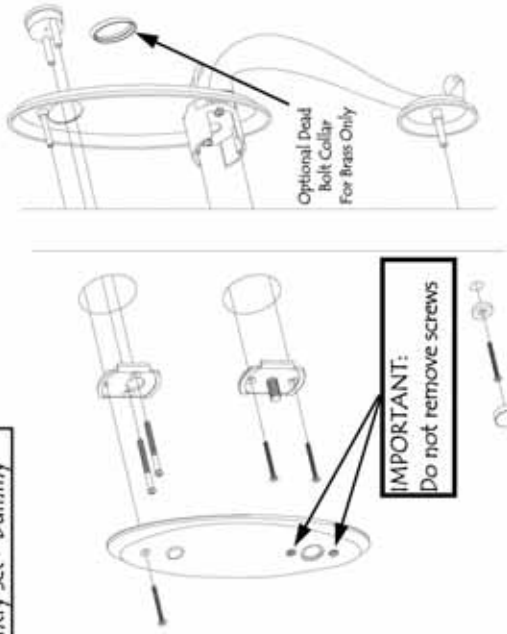
After lock has been installed tighten set screw with allen wrench.



Installation Instructions--Tubular Monolithic Entry Set - Dummy



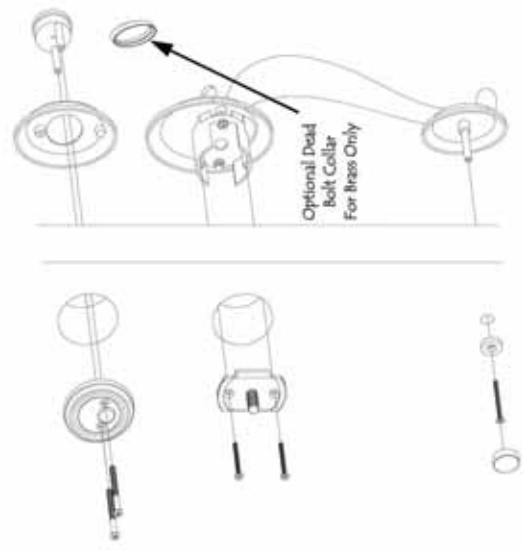
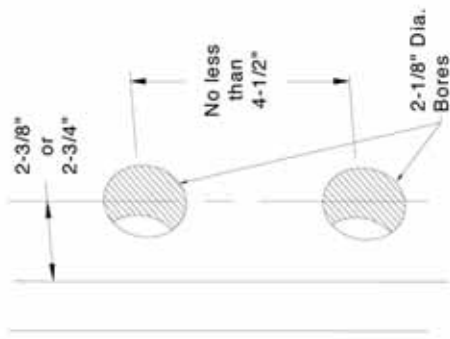
\* Marietta 6 style locks have 6" center to center bore spacing.



AFTER LOCK HAS BEEN INSTALLED  
Tighten Set Screws with Allen Wrench



Installation Instructions--Tubular Sectional Entry Set - Dummy



AFTER LOCK HAS BEEN INSTALLED  
Tighten Set Screws with Allen Wrench

