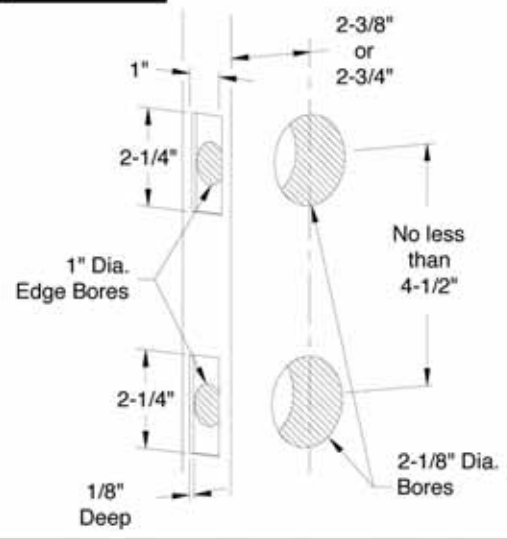
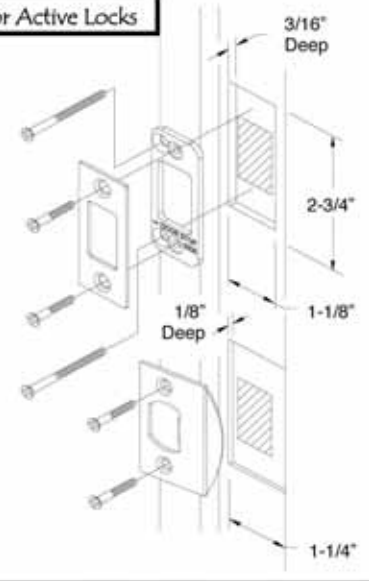


Installation Instructions-Tubular Sectional Entry Set - Single Cylinder Deadbolt

Door Prep - Active Lock

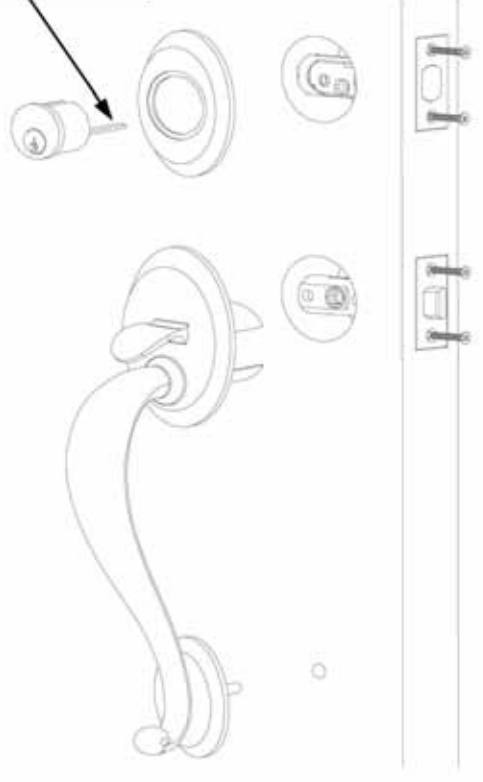


Door Jamb for Active Locks

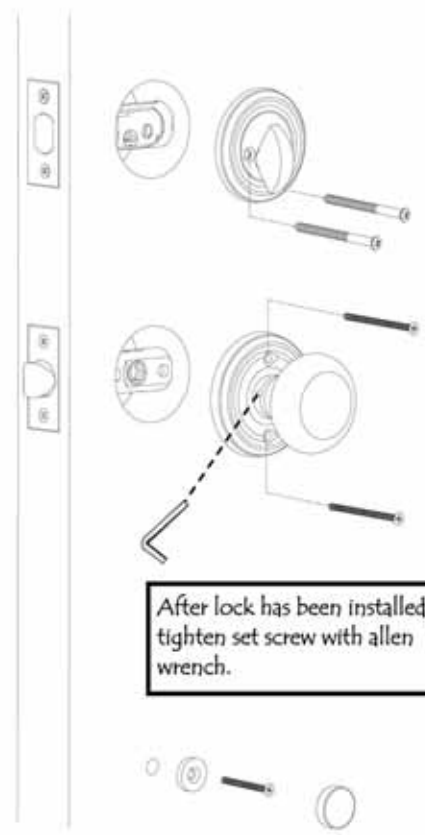


Outside Trim

Tailpiece Horizontal

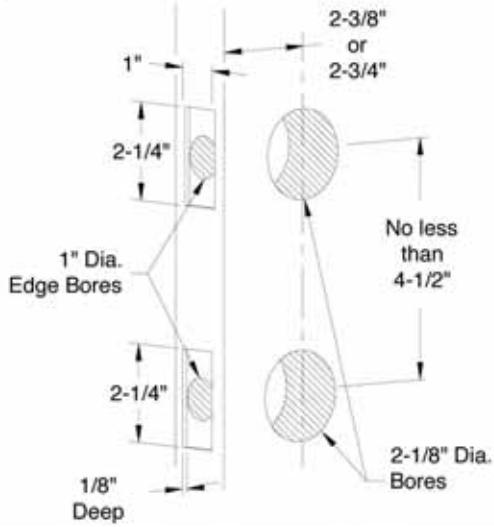


Inside Trim

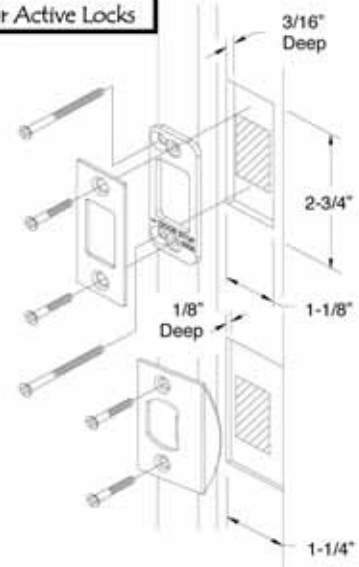


Installation Instructions-Tubular Sectional Entry Set - Double Cylinder Deadbolt

Door Prep - Active Lock

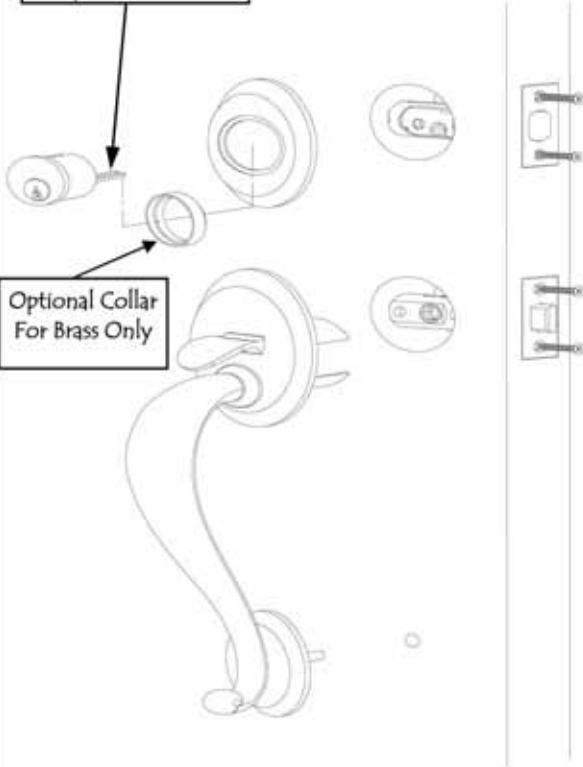


Door Jamb for Active Locks



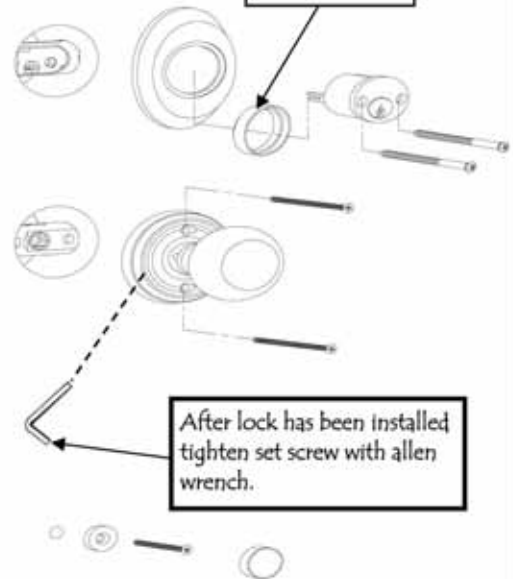
Outside Trim

Tailpiece Horizontal



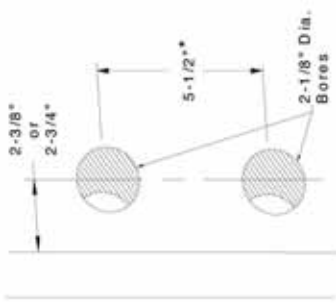
Inside Trim

Optional Collar For Brass Only

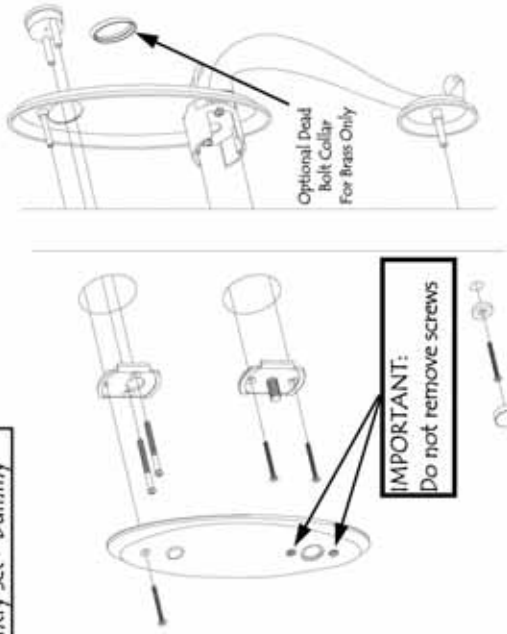


Plates and grip vary depending on style.

Installation Instructions--Tubular Monolithic Entry Set - Dummy

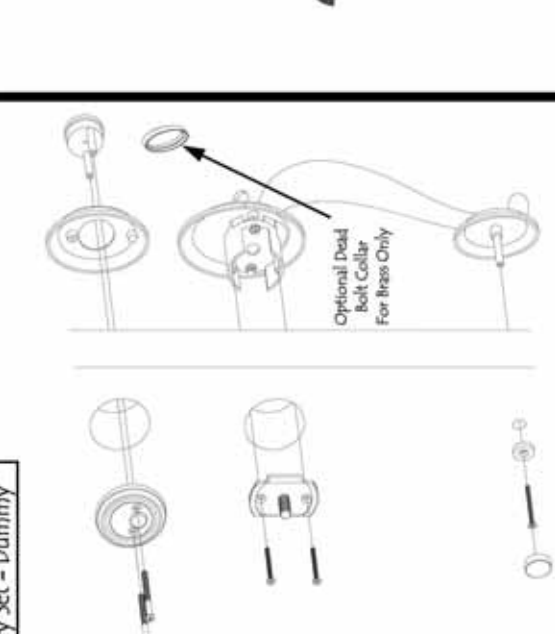
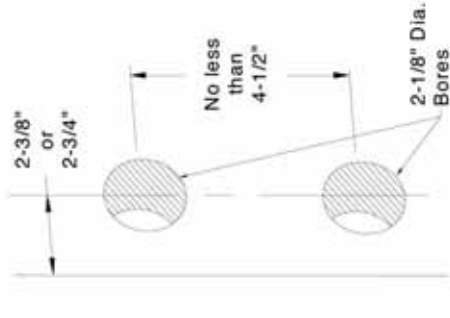


\* Marietta 6 style locks have 6" center to center bore spacing.



AFTER LOCK HAS BEEN INSTALLED  
Tighten Set Screws with Allen Wrench

Installation Instructions--Tubular Sectional Entry Set - Dummy



AFTER LOCK HAS BEEN INSTALLED  
Tighten Set Screws with Allen Wrench