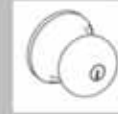


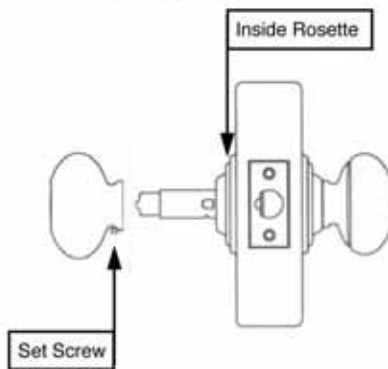
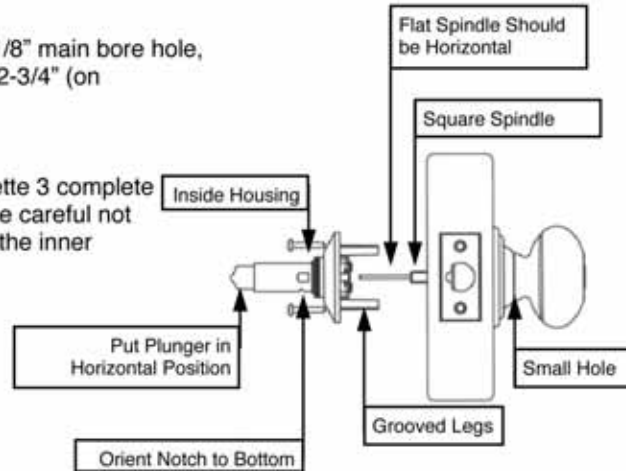
# Installation Instructions for Key in Knob Lockset



1. Install Latch into standard tubular door prep, 2-1/8" main bore hole, 1" edge bore hole, backset 2-3/8" (standard) or 2-3/4" (on request).

2. Facing the outside knob assembly, turn the rosette 3 complete turns going in the counter clockwise direction. Be careful not to run rosette against the knob. This will cause the inner housing to extend out from the rosette.

3. Install outside knob and rosette assembly, inserting square spindle through latch. Orient small hole to bottom position.



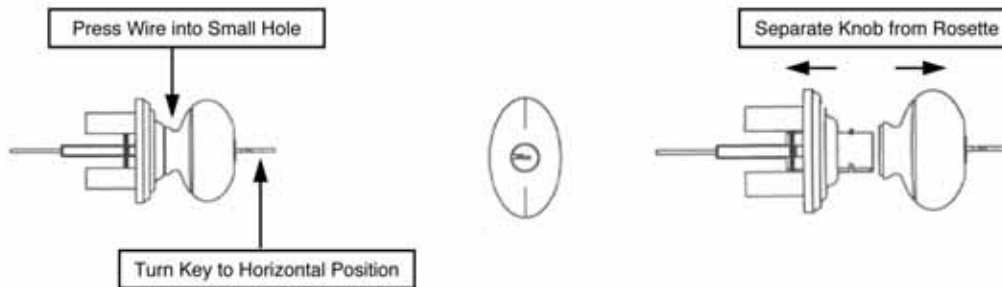
4. Install inside housing, mating grooved legs into outside housing. Put plunger in Horizontal position and, if necessary, rock back and forth until spindle slips all the way into inside housing.

5. Thread inside rosette into inside housing. Tighten both inside and outside rosettes finger tight against door.

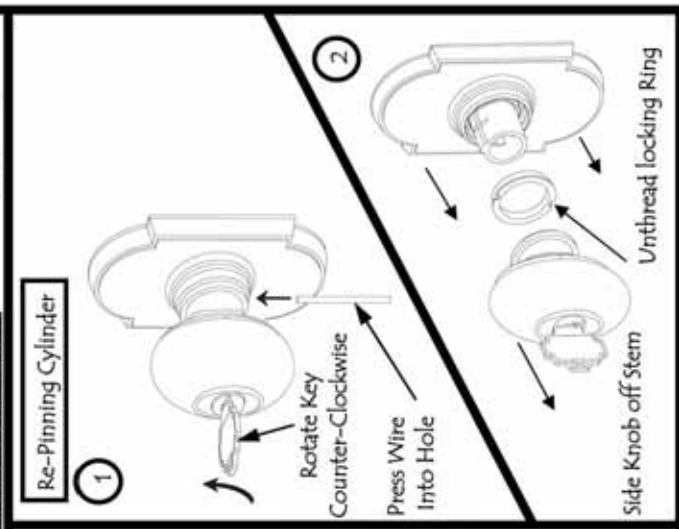
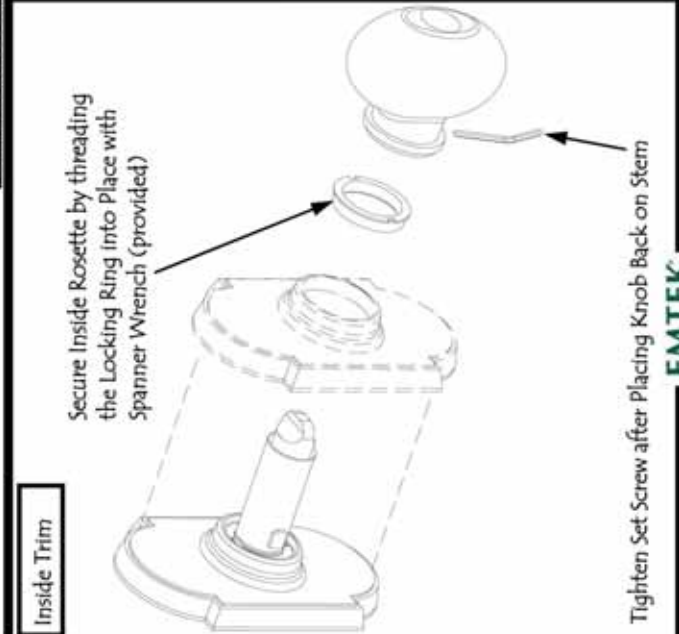
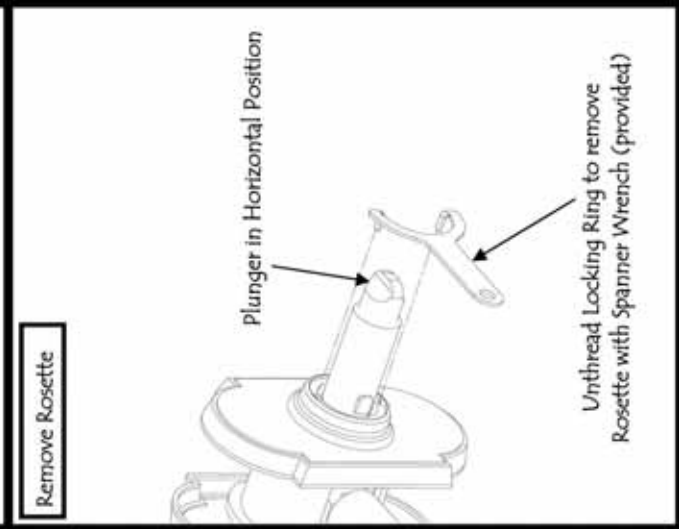
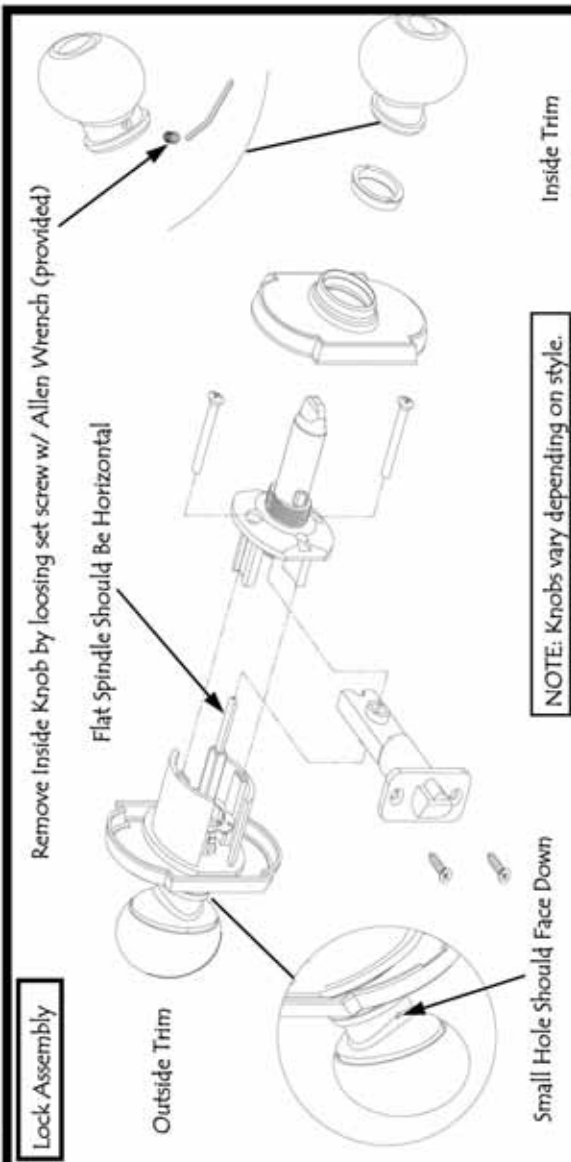
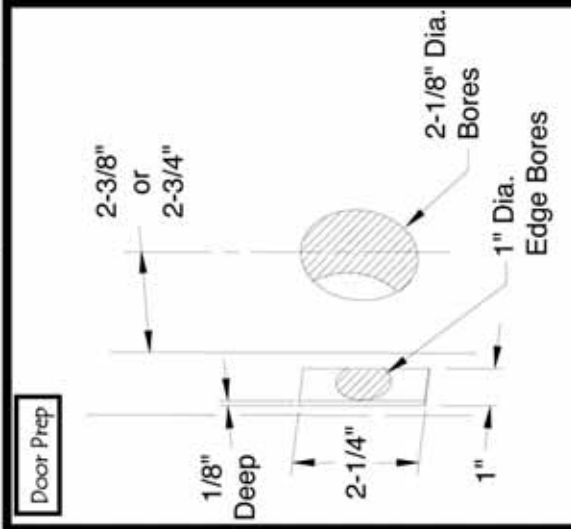
6. Fit inside knob onto housing, tighten set screw on bottom.

## Removing Cylinder - only necessary if cylinder is being re-pinned

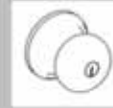
Turn key to horizontal position. Insert wire into small hole and separate knob from rosette. Now the cylinder can be removed through the back of the knob.



Installation Instructions—Key in knob w/ #8 Style Rosette



## Installation Instructions for Dummy Key in Knob Lockset



1. Unpack the lock, loosen the set screws at the bottom of each knob, remove Knobs from Inner Housing and unthread the Rosettes from Inner Housings.
2. Install inner housings onto surface of door orienting the notch on the housing to the bottom. The two wood screws should be located at the top and bottom.
3. Thread the Rosettes into the Inner Housings and slip Knobs into Inner Housings. Tighten the set screws at the bottom of each Knob.

